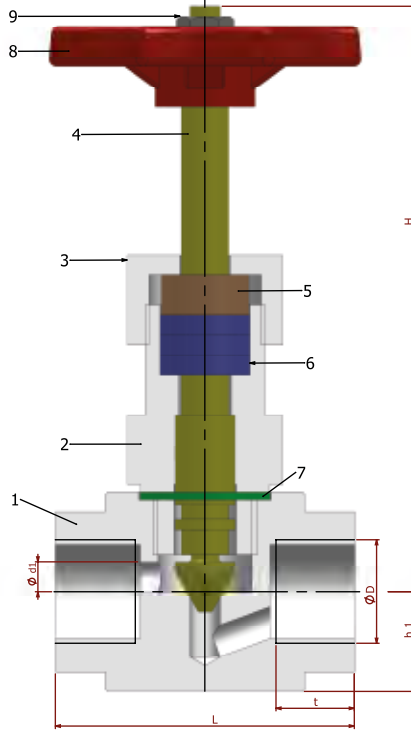


TİP TYPE
BİV - Dİ
R 1/4" - R 2"
PN 250
ÇELİK
STELL
DİŞLİ
THREADED


PARÇA NO ITEM NO	PARÇA ADI ITEM DISCRPTION		MALZEME MATERIAL		
9	SOMUN	NUT	5.6 Gal.	.1.4301	.1.4301
8	HAREKET VOLANI	ACTION WHELL	ALUMINIUM	ALUMINIUM	ALUMINIUM
7	SIZDIRMAZLIK ELEMAN	TIGHTNESS ELEMENT	COOPER SEAL	COOPER SEAL	COOPER SEAL
6	SIZDIRMAZLIK TEFLONU	TIGHTNESS ELEMENT	PTFE	PTFE	PTFE
5	BASKI RİNGİ	PRESSURE RING	MS 58	.1.4301 - 1.4401	MS 58
4	HAREKET MİLİ	ACTION SPINDLE	.1.4301	.1.4301 - 1.4401	.1.4301
3	KAPAK	COVER	St 37-2	.1.4301 - 1.4401	MS 58
2	HAREKET MİLİ YATAĞI	ACTION SPINDLE SEAT	St 37-2	.1.4301 - 1.4401	MS 58
1	GÖVDE	BODY	St 37-2	.1.4301 - 1.4401	MS 58

Boyut Dimensions : BATUSAN ÖZEL
 Bağlantılar Connections : EN 100226-1
 Çalışma Basıncı Working Pressure : PN 250
 Çalışma Sıcaklığı Working Temperature : -40 °C / +250 °C

Kullanım Alanları Usege Areas
 Su, Sıcak Su, Buhar, Basıncılı Hava
 Water, Hot Water, Steam, Pressurized Air


BOYUT ve BAĞLANTI ÖLÇÜLERİ DIMENSIONS AND CONNECTION SIZES

		PN 250						
		L	D	t	H	h1	d1	Kg
DN 8	1/4"	48	1/4"	11	70	15	3	0,34
DN 10	3/8"	55	3/8"	12	70	15	4	0,38
DN 15	1/2"	60	1/2"	14	110	25	6	0,80
DN 20	3/4"	70	3/4"	17	120	25	7	1,10
DN 25	1"	90	1"	20	130	25	9	1,70
DN 32	1 1/4"	95	1 1/4"	22	150	30	9	1,90
DN 40	1 1/2"	110	1 1/2"	25	160	35	12	3,80
DN 50	2"	120	2"	28	160	35	16	4,25