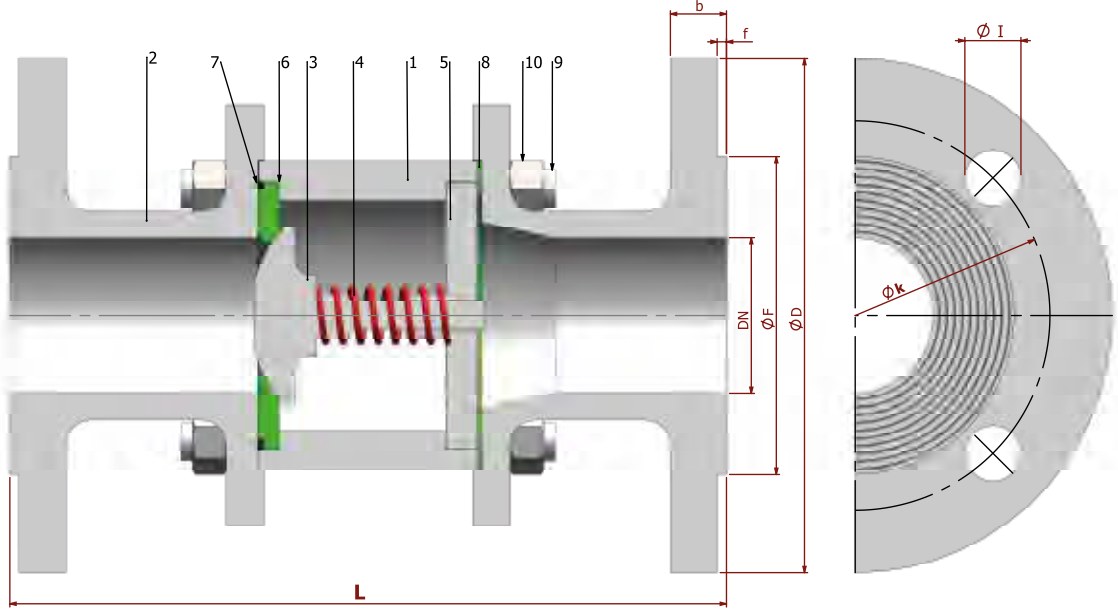


TİP TYPE  
 BÇV - FL

DN 15 - DN 200

PN 16 / 40

 ÇELİK  
 STELL

 FLANŞLI  
 FLANGED


PARÇA NO ITEM NO	PARÇA ADI ITEM DISCRPTION	MALZEME MATERIAL
10	SOMUN NUT	5.6. 1.4301.- 1.4401.
9	SAPLAMA STOPPING PIM	CK 35 / CK 45 1.4301.
8	GÖVDE SIZDIRMAZLIK TEFLONU BODY TIGHTNESS ELEMENT	PTFE-Teflon PTFE-Teflon
7	O-RING O-RING	VİTON VİTON
6	KÜRE SIZDIRMAZLIK TEFLONU BALL TIGHTNESS ELEMENT	PTFE-Teflon PTFE-Teflon
5	KÜRE YATAĞI BALL SEAT	st 37-2 1.4301.- 1.4401.
4	YAY SPRING	1.4301. 1.4301.- 1.4401.
3	KÜRE BALL	1.4301 / 1.4021 1.4301.- 1.4401.
2	KAPAK COVER	st 37-2 1.4301.- 1.4401.
1	GÖVDE BODY	St 44 1.4301.- 1.4401.

Boyut Dimensions : EN 558  
 Bağlantı Connections : EN 1092 - 1  
 Çalışma Basıncı Working Pressure : PN 16 - 40  
 Çalışma Sıcaklığı Working Temperature : -30 °C / +180 °C

Kullanım Alanları Usege Areas :  
 Su, Sıcak Su, Buhar, Basıncılı Hava  
 Water, Hot Water, Steam, Pressurized Air


**BOYUT ve BAĞLANTI ÖLÇÜLERİ DIMENSIONS AND CONNECTION SIZES**

	L	f	PN 16								PN 40							
			D	b	k	Hole Unit	I	F	Kg	D	b	k	Hole Unit	I	F	Kg		
DN 15 1/2"	130	2	95	14	65	4	14	45	2,0	95	16	65	4	14	45	2,4		
DN 20 3/4"	150	2	105	16	75	4	14	58	3,1	105	18	75	4	14	58	3,5		
DN 25 1"	160	2	115	16	85	4	14	68	4,0	115	18	85	4	14	68	4,4		
DN 32 1 1/4"	180	2	140	16	100	4	18	78	5,9	140	18	100	4	18	78	7,0		
DN 40 1 1/2"	200	3	150	16	110	4	18	88	7,2	150	18	110	4	18	88	8,2		
DN 50 2"	230	3	165	18	125	4	18	102	9,8	165	20	125	4	18	102	11,5		
DN 65 2 1/2"	290	3	185	18	145	4	18	122	--	185	22	145	8	18	122	15,8		
DN 80 3"	310	3	200	20	160	8	18	138	--	200	24	160	8	18	138	21,0		
DN 100 4"	350	3	220	20	180	8	18	158	--	235	24	190	8	22	162	--		
DN 125 5"	400	3	250	22	210	8	18	188	--	270	26	220	8	26	188	--		
DN 150 6"	480	3	285	22	240	8	22	212	--	300	28	250	8	26	218	--		
DN 200 8"	600	3	340	24	295	12	22	268	--	375	34	320	12	30	285	--		