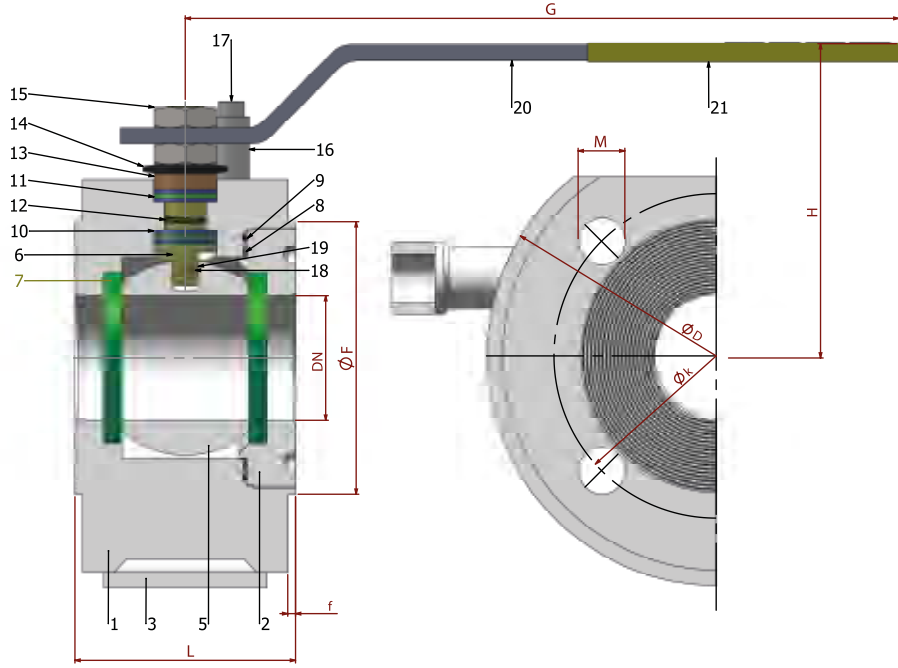


TIP  
BBTKV-CK

DN 15 - DN 150

PN 16 / 40

TAM GEÇİSLİ  
FULL BORE



PARÇA NO ITEM NO	PARÇA ADI ITEM DISCRPTION	MALZEME MATERIAL		
21	PLASTİK KAPLAMA	PLASTIC COVERING	PVC	PVC
20	KÜRE HAREKET KOLU	BALL ACTION HANDLE	st 37	1.4301.
19	ANTİSTATİK KÜRE	ANTISTATIC BALL	1.4301.	1.4301 / 1.4086
18	ANTİSTATİK YAY	ANTISTATIC SPRING	1.4301.	1.4301 / 1.4086
17	ÇİVATA	BOLT	ST 42 Gal.	1.4301 / 1.4086
16	STOPLAMA PİMİ	STOPPING PIM	ST 42 Gal.	1.4301.
15	KONTRA SOMUN	COUNTER NUT	5,6 Gal.	1.4301.
14	ÇANAK PUL	BOWL WASHER	50 Cr V 4	1.4301.
13	BASKI RİNGİ	PRESSURE RING	MS 58	1.4301. - 1.4401
12	MİL O-RING	SPINDLE O-RING	VİTON	VİTON
11	BURGMAN GRAFİT O-RING	BURGMAN GRAPHITE O-RING	EN 1514-1	EN 1514-1
10	BOĞAZ SIZDIRMAZLIK TEFLONU	NECK TIGHTNESS ELEMENT	PTFE-Teflon	PTFE-Teflon
9	GÖVDE O-RING	BODY O-RING	VİTON	VİTON
8	GÖVDE SIZDIRMAZLIK TEFLONU	BODY TIGHTNESS ELEMENT	PTFE-Teflon	PTFE-Teflon
7	KÜRE SIZDIRMAZLIK TEFLONU	BALL TIGHTNESS ELEMENT	PTFE-Teflon	PTFE-Teflon
6	HAREKET MİLİ	ACTION SPINDLE	1.4021	1.4301. - 1.4401
5	KÜRE	BALL	1.4301 / 1.4086	1.4305. - 1.4401
4	MANŞON	MUFF	ST 37-2	1.4301. - 1.4401
3	CEKET	JACKET	ST 37-2	1.4301. - 1.4401
2	KAPAK	COVER	ASTM A 105	1.4301. - 1.4401
1	GÖVDE	BODY	ASTM A 105	1.4301. - 1.4401

Boyut Dimensions : BATU ÖZEL  
Bağlantılar Connections : EN 1092  
Çalışma Basıncı Working Pressur : PN 16 - 40  
Çalışma Sıcaklığı Working Temperature : +180 °C

Kullanım Alanları Usege Areas : Asfalt, Gıda ve Kimya Sanayii  
Asphalt, Food and Chemical Ind.



### BOYUT ve BAĞLANTI ÖLÇÜLERİ DIMENSIONS AND CONNECTION SIZES

DN	NPS	L	G	H	f	R	D	PN 16				PN 40				Kg
								k	Hole Unit	M	F	k	Hole Unit	M	F	
DN 15	1/2"	38	150	75	2	1/2"	105	65	4	M 12	50	65	4	M 12	50	
DN 20	3/4"	40	150	83	2	1/2"	115	75	4	M 12	60	75	4	M 12	60	
DN 25	1"	45	180	90	2	1/2"	130	85	4	M 12	68	85	4	M 12	68	
DN 32	1 1/4"	58	230	95	2	1/2"	157	100	4	M 16	78	100	4	M 16	78	
DN 40	1 1/2"	64	275	115	3	1/2"	157	110	4	M 16	88	110	4	M 16	88	
DN 50	2"	82	275	120	3	1/2"	177	125	4	M 16	105	125	4	M 16	105	
DN 65	2 1/2"	103	320	135	3	1/2"	190	145	4	M 16	125	145	8	M 16	125	
DN 80	3"	122	380	150	3	1/2"	210	160	8	M 16	132	160	8	M 16	132	
DN 100	4"	150	450	170	3	1/2"	250	180	8	M 16	158	190	8	M 20	162	
DN 125	5"	200	450	200	3	1/2"	270	210	8	M 16	188	220	8	M 20	188	
DN 150	6"	235	650	235	3	1/2"	305	240	8	M 20	212	250	8	M 22	218	